

# Flymo



PARTS

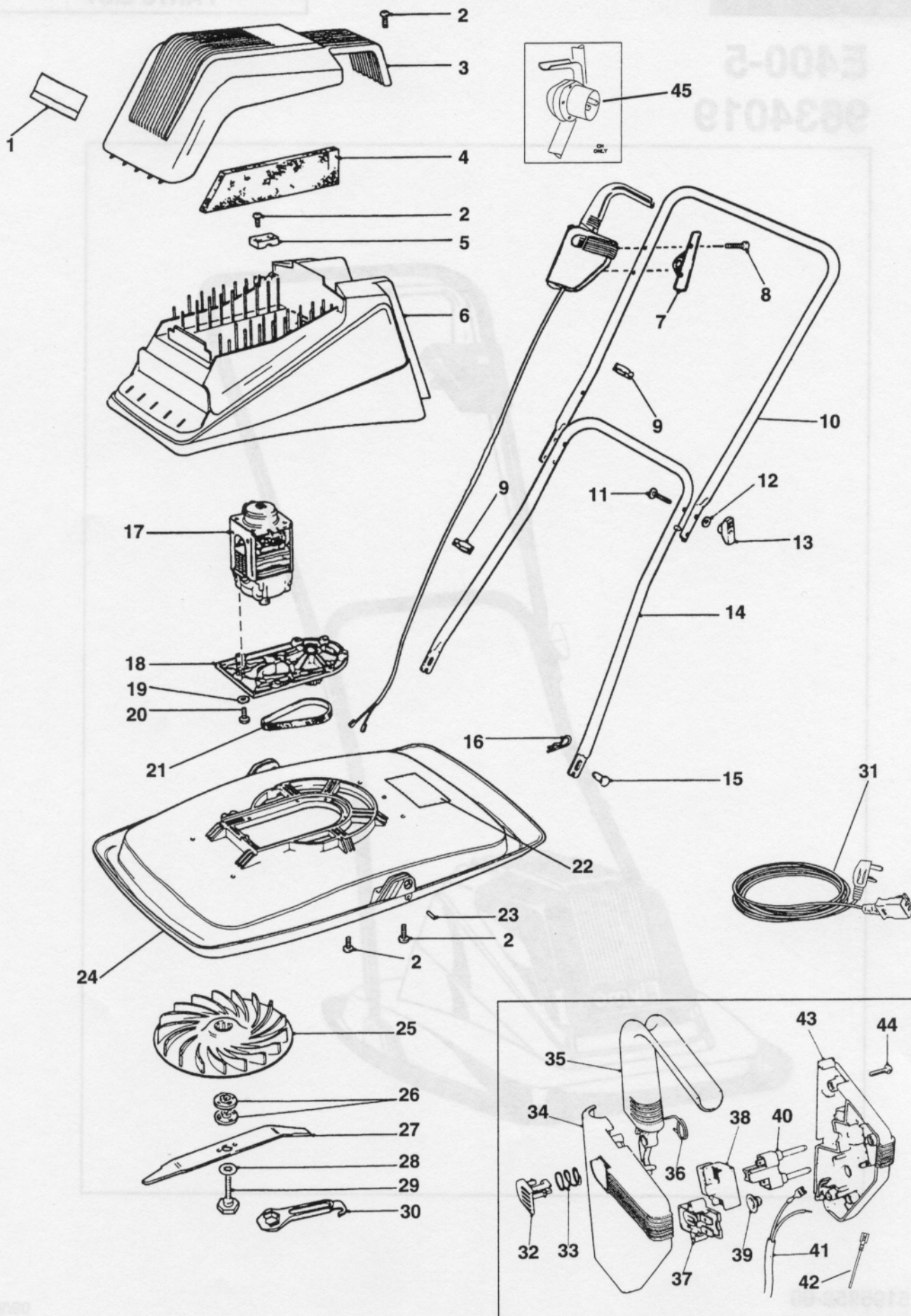
5D

PARTS LIST

**E400-5**  
**9634019**



MODEL	E400-5	PRODUCT APPLICATION	
		9634019-01 GB,EI.	9634019-67 EAST EUROPE.
PRODUCT NO.	9634019	9634019-22 CH.	9634019-86 A,B,D,F,NL,I,E,P,N,DK,S,SF.
		9634019-40 ARG.	9634019-99 AUS,NZ.



MODEL	E400-5	PRODUCT APPLICATION	
		9634019-01 GB,EI.	9634019-67 EAST EUROPE.
PRODUCT NO.	9634019	9634019-22 CH.	9634019-86 A,B,D,F,NL,I,E,P,N,DK,S,SF.
		9634019-40 ARG.	9634019-99 AUS,NZ.

Key	Part Number	Description	Qty	
01	5138220-00/8	LABEL,FLYMO	1	
02	5148649-01/4	SCREW	16	
03	5106816-00/1	COWL,UPPER	1	
04	5138095-00/4	FILTER	2	
05	5136692-01/8	CABLE CLAMP	1	
06	5106678-68/2	COWL,LOWER	1	
07	5118091-01/5	RETAINER	1	
08	5146672-00/0	SCREW	2	
09	5137750-00/5	CLIP CABLE	2	
10	5127242-01/3	HANDLE,UPPER	1	
	5127242-03/9	HANDLE,UPPER	1	CH only
11	5148672-00/8	BOLT,HANDLE	2	
12	5140266-00/7	WASHER	2	
13	5137679-00/6	WING KNOB	2	
14	5117409-01/0	HANDLE,LOWER	1	
15	5140092-03/1	PIVOT PIN	2	
16	5140423-00/4	PIN, RETAINING	2	
17	5150010-00/6	MOTOR	1	
18	5137968-00/3	BASEPLATE/PULLEY ASSY	1	
19	5140943-00/1	WASHER	4	
20	5148696-01/5	SCREW	4	
21	5137872-00/7	DRIVE BELT	1	
22	5146467-00/5	LABEL,WARNING	1	GB,EI,AUS,NZ
	5138546-00/6	LABEL,WARNING	1	CH,ARG,A,B,D,F,NL,I,E,P,N,DK,S,SF
	5149628-00/9	LABEL,WARNING	1	EAST EUROPE.
23	5147594-00/5	PIN	2	
24	5138565-00/6	HOOD	1	
25	5117227-01/6	IMPELLER	1	
26	5138110-01/9	BLADE SPACER PEGGED	3	
27	5126995-00/9	BLADE	1	
28	5148259-00/4	WASHER, ANTI FRICTION	1	
29	5137608-00/5	BLADE BOLT	1	
30	5126682-00/3	SPANNER/SCRAPER	1	
31	5127250-03/2	MAINS LEAD	1	GB,EI, ONLY.
	5127536-02/6	MAINS LEAD	1	ARG,AUS,NZ
32	5127008-00/0	LOCK OFF	1	
33	5148658-00/7	SPRING,LOCK OFF	1	
34	5106539-01/7	SWITCHBOX UPPER	1	
35	5106481-01/2	LEVER	1	
36	5148657-00/9	SPRING,TORSION	1	
37	5127255-00/7	THERMAL CUT-OUT	1	
38	5137786-00/9	SWITCH	1	
39	5149024-00/1	CUT-OUT COVER	1	
40	5137686-00/1	PIN RETAINER	1	GB,EI,,ARG,AUS,NZ
	5148784-00/1	PIN RETAINER	1	A,B,D,F,NL,I,E,P,N,DK,S,SF,E EUR.
41	5148814-20/4	LEAD	1	
42	5148773-00/4	LEAD,INTERNAL	1	
43	5106538-01/9	SWITCHBOX LOWER	1	GB,EI,,ARG,AUS,NZ
	5106540-01/5	SWITCHBOX LOWER	1	A,B,D,F,NL,I,E,P,N,DK,S,SF,E EUR.
44	5146672-00/0	SCREW	4	
45	5127499-01/9	SWITCHBOX,SCHULTE	1	CH ONLY